

TC-PLS Series 905nm Pulse Light Source

Product Description

The TC-PLS series pulsed light source uses a unique short pulse drive circuit to achieve pulsed output, and the laser's unique APC (Automatic Power Control) and ATC (Automatic Temperature Control) circuits make the output power and wavelength highly stable.



Features

- Pulse widths up to 8ns
- Pulse width adjustable
- Pulse repetition frequency adjustable
- Built-in electrical synchronization electrical signal interface
- Internal and external triggering is optional

Applications

- Laser distance measurement
- Seed light source
- Fiber optic sensing
- Passive Component Testing

Extreme Conditions

Parameter	Symbol	Unit	Minimum Value	Typical Value	Maximum Value
Operating current	I_{PD}	A		1	2
Operating temperature	T_{op}	°C	-10		60
Storage temperature	T_{st}	°C	-40		85
Humidity	RH	%	5		90



Product Parameter

Parameter	Symbol	Minimum Value	Typical Value	Maximum Value	Unit
Central Wavelength	λ	900	905	950	nm
Peak Wavelength Tolerance		-	± 10	-	nm
Peak Optical Power	P_o	0.6	1	-	W
3dB Spectral Width	$\Delta\lambda$		5	12	nm
Rise/Fall Time	$T_{rise/fall}$		1.0		ns
Pulse Width	T_w	8		50	ns
Repetition Frequency	F_r	1		500	KHz
Light Extinction Ratio			12		dB
Fiber Core Diameter			62.5		μm
Numerical Aperture			0.27		NA
Optical Power Stability			<1		%
Wavelength Stability			<0.01		nm
Pulse Width Adjustment Accuracy			1		ns
Pulse Width Adjustment Step			5		ns
Re-frequency Adjustment step			5		KHz
Output Optical Isolation			30		dB
Fiber Optic Interface			FC/PC、FC/APC or user specified		

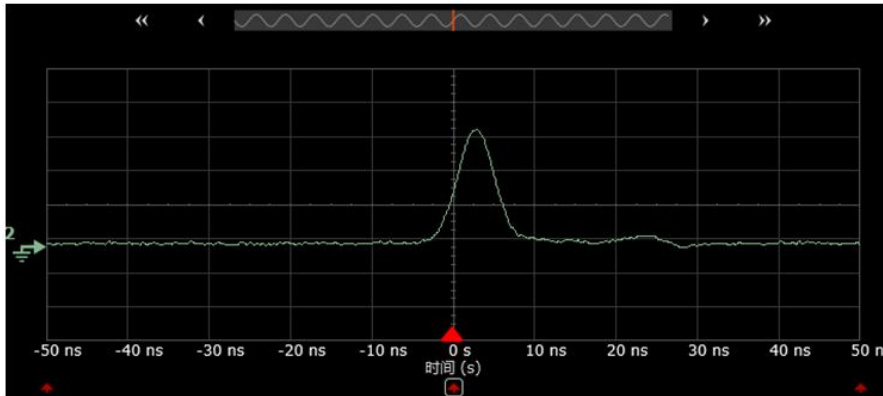
** Test conditions: CW, $T_{op}=25^{\circ}\text{C}$

Electrical and mechanical parameters

Parameter Indicators	Module
Supply Voltage	5V
Trigger Mode	Internal and external trigger optional
Trigger and Synchronization Signal Interface	SMA(f)
Communication Interface	USB 2.0
Appearance Size	150x125x25

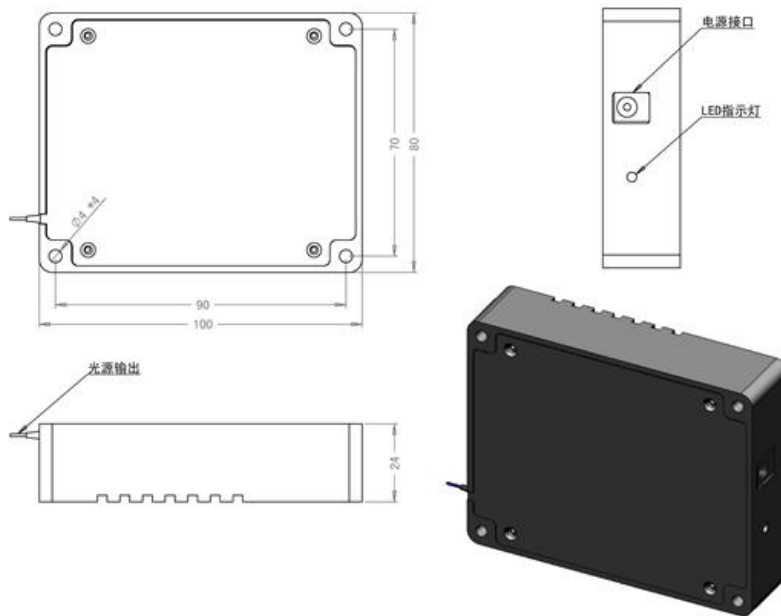


Typical Pulse



(脉宽: 5ns, 上升时间: 3ns, 下降时间: 4ns, 重复频率: 100KHz)

Package size



(单位: mm)



Ordering information

TC	PLS	09	X	XX	XX
	Pulsed Lasers	Working wavelength: 09-905nm	Package: M---Module D---Desktop	Narrowest pulse width: 10---10ns	Fiber optic connectors: SC FC SP---user specified

If you have special needs, please contact our sales staff.

